

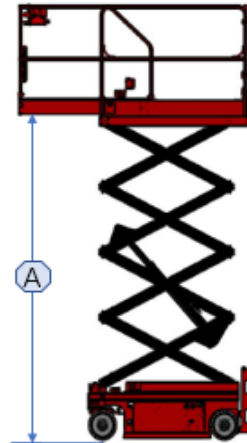
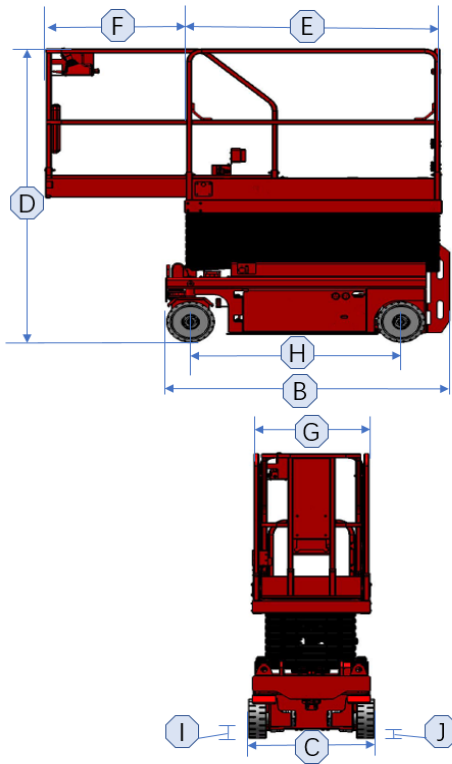


ZMG Industries (Suzhou) Co., Ltd.

Contact: sales@zmglift.com

### Technical Data Sheet\_ZS0607/ ZS0607W

Date: 2017.05.23



#### Specifications

Models	ZS0607		ZS0607W	
	US	Metric	US	Metric
Working height maximum*	25ft 7 in	7.8 m	25ft 7 in	7.8 m
(A) Platform height maximum	19ft	5.8m	19ft	5.8 m
(B) Length-stowed	5 ft 12 in	1.82 m	5 ft 12 in	1.82 m
(C) Width	2 ft 6 in	0.76m	2 ft 9 in	0.81m
(D) Height stowed fixed rails	7 ft 2 in	2.18m	7 ft 2 in	2.18m
(E) Platform length -Outside	5 ft 5 in	1.65 m	5 ft 5 in	1.65 m
(F) Slide-out platform extension deck	2 ft 11 in	0.9 m	2 ft 11 in	0.9 m
(G) Platform width -Outside	2 ft 6 in	0.76 m	2 ft 6 in	0.76 m
(H) Wheelbase	4 ft 5 in	1.35 m	4 ft 5 in	1.35 m
(I) Ground clearance-center	2.4 in	0.06 m	2.4 in	0.06 m
(J) - with pothole guards deployed	0.8 in	0.02 m	0.8 in	0.02 m

#### Productivity

Maximum Platform Occupancy **	2	2	1	1
Lift capacity	507 lbs	230 kg	506 lbs	230 kg
Lift capacity - extension deck	265 lbs	120 kg	265 lbs	120 kg
Drive height	full height	full height	full height	full height
Drive speed - stowed	2.5 mph	4.0 km/h	2.5 mph	4.0 km/h
Drive speed - raised	0.5 mph	0.8 km/h	0.5 mph	0.8 km/h
Gradeability - stowed***	25%	25%	25%	25%
Turning radius - inside	zero	zero	zero	zero
Turning radius - outside	5 ft 1 in	1.55 m	5 ft 1 in	1.55 m
Max. work angle of inclination	3°/ 1.5°	3°/ 1.5°	3°/ 1.5°	3°/ 1.5°
Raise / lower speed(s)	18/28	18/28	18/28	18/28
Controls	proportional	proportional	proportional	proportional
Drive	dual front wheel	dual front wheel	dual front wheel	dual front wheel
Multiple disc brakes	dual rear wheel	dual rear wheel	dual rear wheel	dual rear wheel
Tires - solid non-marking	12 x 4 in	30.5 x 11 cm	12 x 4 in	30.5 x 11 cm

#### Power

Drive Motor	3.3 kw	3.3 kw	
Power source	24 V DC (four 6 V 225 Ah batteries)	24 V DC (four 6 V 225 Ah batteries)	
Charger	90-24V 25Amp	90-240 V 25 Amp	
Hydraulic system capacity	2.6 gal	10 L	
2.6 gal	10 L	2.6 gal	10 L

<b>WEIGHT****</b>	3263 lbs	1480 kg	3307 lbs	1500 kg
-------------------	----------	---------	----------	---------

\* The metric equivalent of working height adds 2 m to platform height. U.S. adds 6 ft to platform height.

\*\* ZS0607 is indoor use only—2 persons maximum occupancy; ZS0607W during outdoor use—1 person maximum occupancy, during indoor use- 2 persons maximum occupancy

\*\*\* Gradeability applies to driving on slopes, see operator's manual for details regarding slope ratings.

\*\*\*\* Weight will vary depending on options and/or country standards.

Note: All figures above reserved to be changed according to production status.